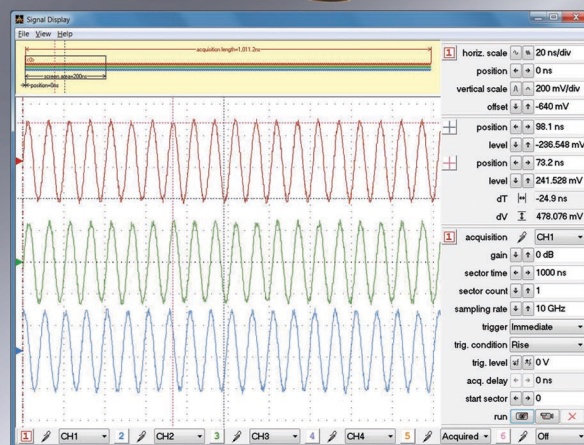
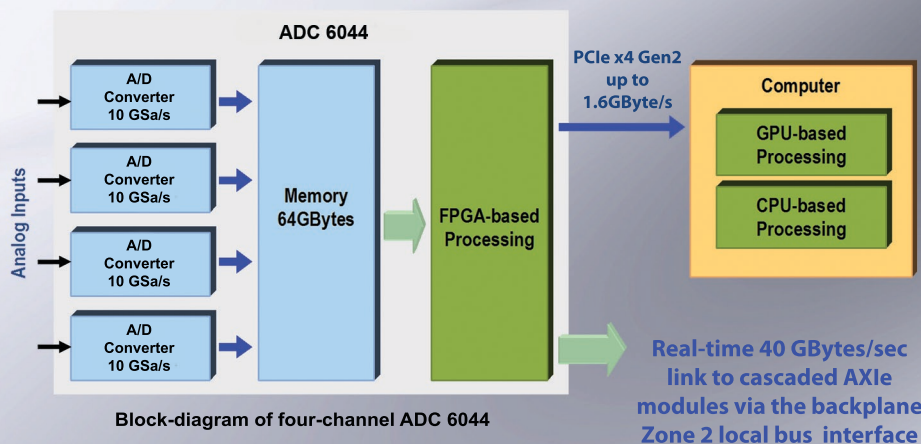
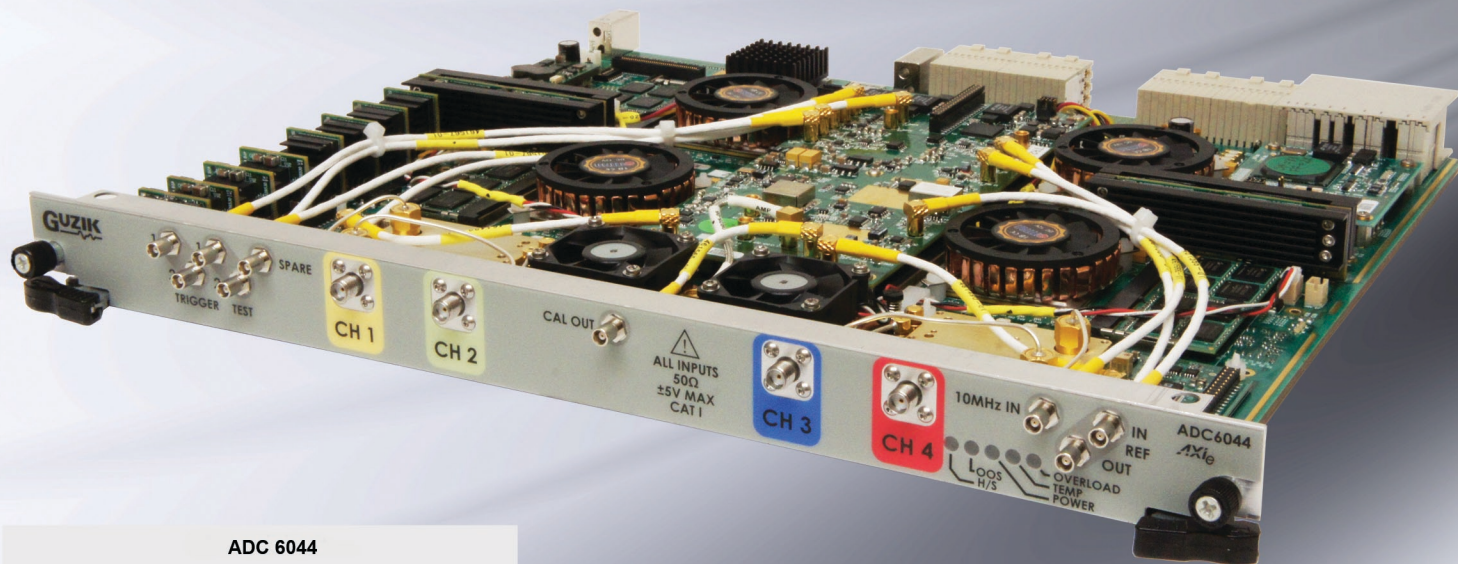


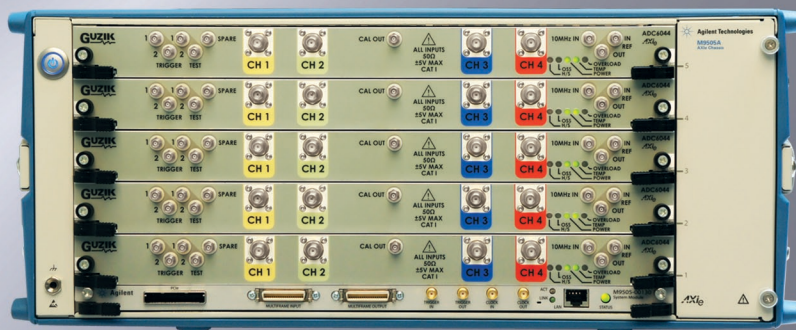
# High-Speed Multi-Channel Guzik *AXIe*-1 ADC 6044 Waveform Digitizer Acquisition and Processing Module

- **Four channels** of **4 GHz** Bandwidth, **10 GSa/s** sampling rate and **8-bit** resolution
- **Two channels** of **6.5 GHz** Bandwidth, **20 GSa/s** in interleaved mode and **8-bit** resolution
- **Up-to 128 GBytes** on board memory. 64 GBytes standard.
- **FPGA-based** waveform and signal processing with up to **10 GSa/s** processing speed per module
- **PCI Express Gen2-based** waveform transfer to host computer
- **1U AXIe-1** module - ideal for ATE and systems applications



Guzik Signal Display Control/Interface Software

To learn more,  
visit [www.guzik.com](http://www.guzik.com)  
or send an EMAIL to [modularsales@guzik.com](mailto:modularsales@guzik.com)  
+1 (650) 625-8000



Twenty channels of 4 GHz BW with 10 GSa/s in the 4U 5 slot Keysight M9505A AXIe chassis