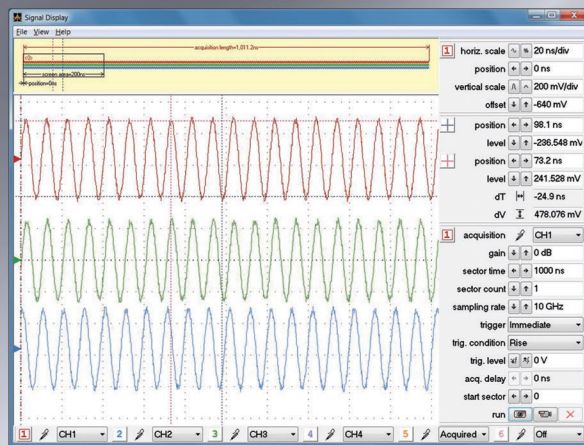
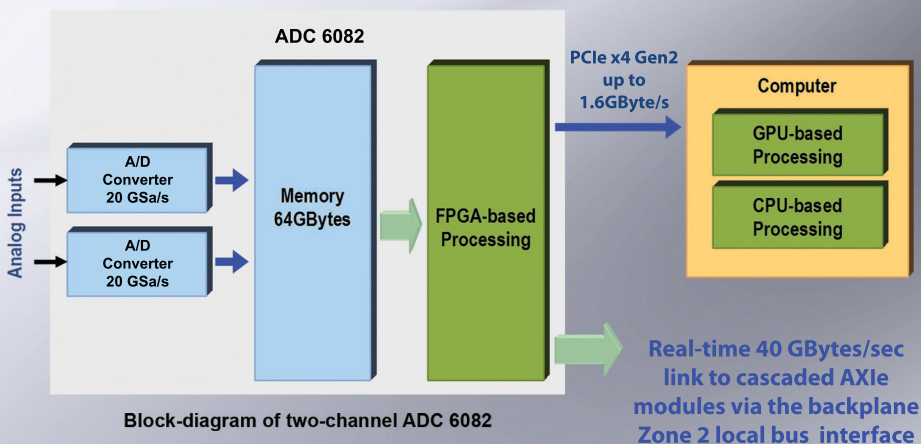


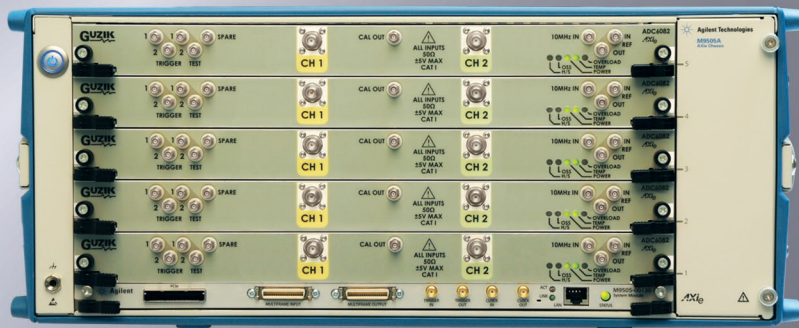
# High-Speed Multi-Channel Guzik *AXIe*-1 ADC 6082 Waveform Digitizer Acquisition and Processing Module

- **Two channels of 8 GHz Bandwidth, 20 GSa/s sampling rate and 8-bit resolution**
- **Up-to 128 GBytes** on board memory. 64 GBytes standard.
- **FPGA-based** waveform and signal processing with up to **10 GSa/s** processing speed per module
- **PCI Express Gen2-based** waveform transfer to host computer
- **1U AXIe-1** module - ideal for ATE and systems applications



Guzik Signal Display Control/Interface Software

To learn more,  
visit [www.guzik.com](http://www.guzik.com)  
or send an EMAIL to [modularsales@guzik.com](mailto:modularsales@guzik.com)  
+1 (650) 625-8000



Ten channels of 8 GHz BW with 20 GSa/s in the 4U 5 slot Keysight M9505A AXIe chassis

Keysight is a registered trademark of Keysight Technologies  
AXIe is a registered trademark of the AXIe Consortium  
Guzik is a registered trademark of Guzik Technical Enterprises